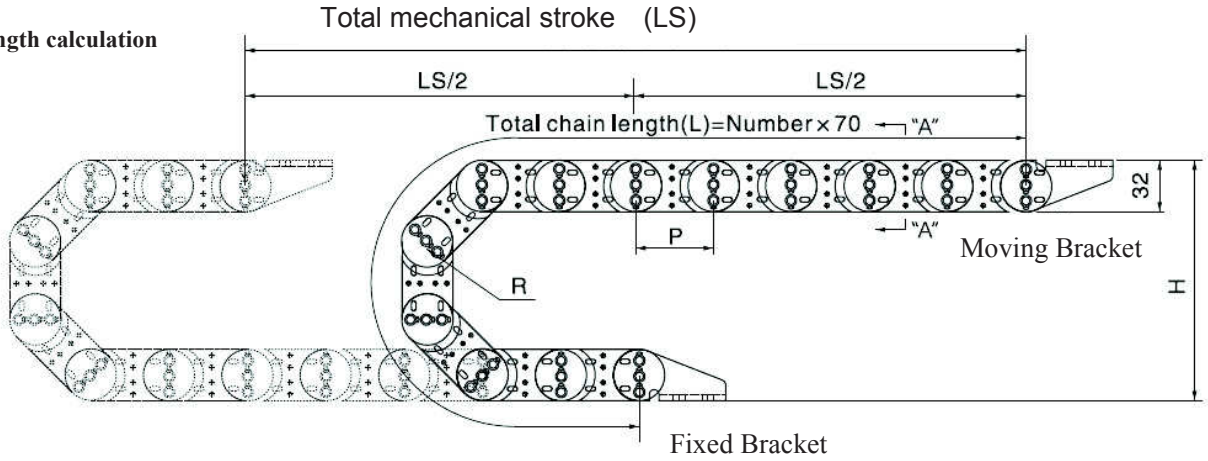


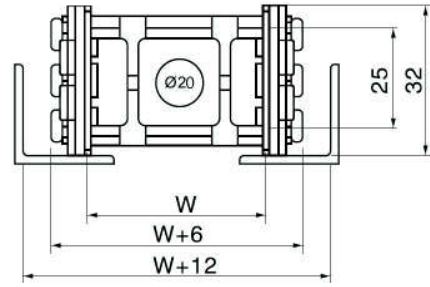
TL045 Installation Dimensions & Tech Data

Length calculation

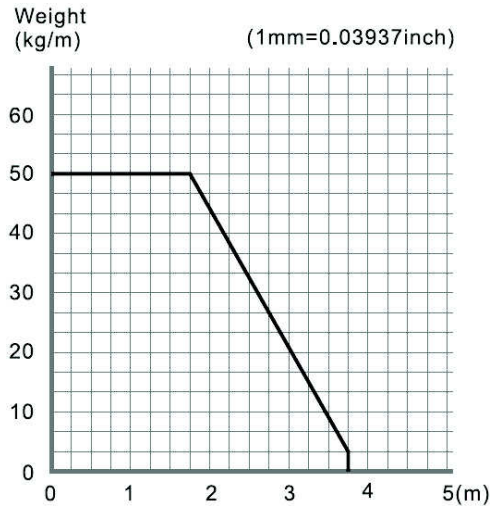


- Material : SPCC,S45C, SS400,SK5,Aluminum
- Operation speed:1M/S
- Temperature: -27~125°C

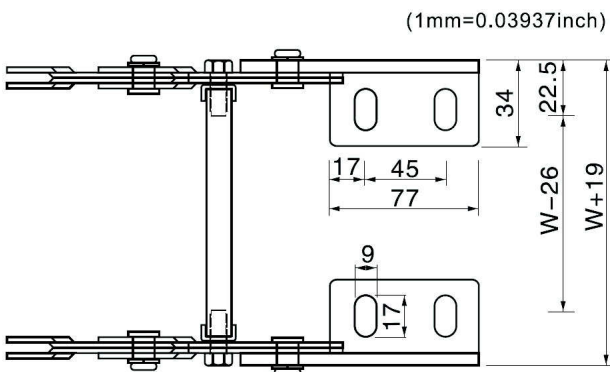
1.Ls=Mechanical stroke length
 2.L=Length of cable chain
 $L=Ls/2+Lc$ (Bending radius)



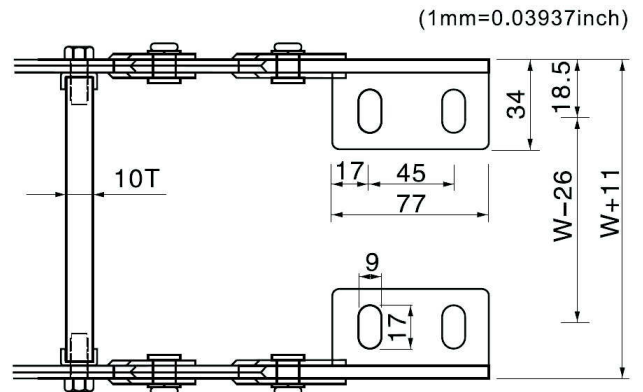
Type	Width (mm)	Radius (mm)	Pitch (mm)
SL-TL045	50	75	45
SL-TL045	(curved line)	100	45
SL-TL045		125	45
SL-TL045		150	45
SL-TL045		200	45
SL-TL045	300	250	45



Fixed bracket

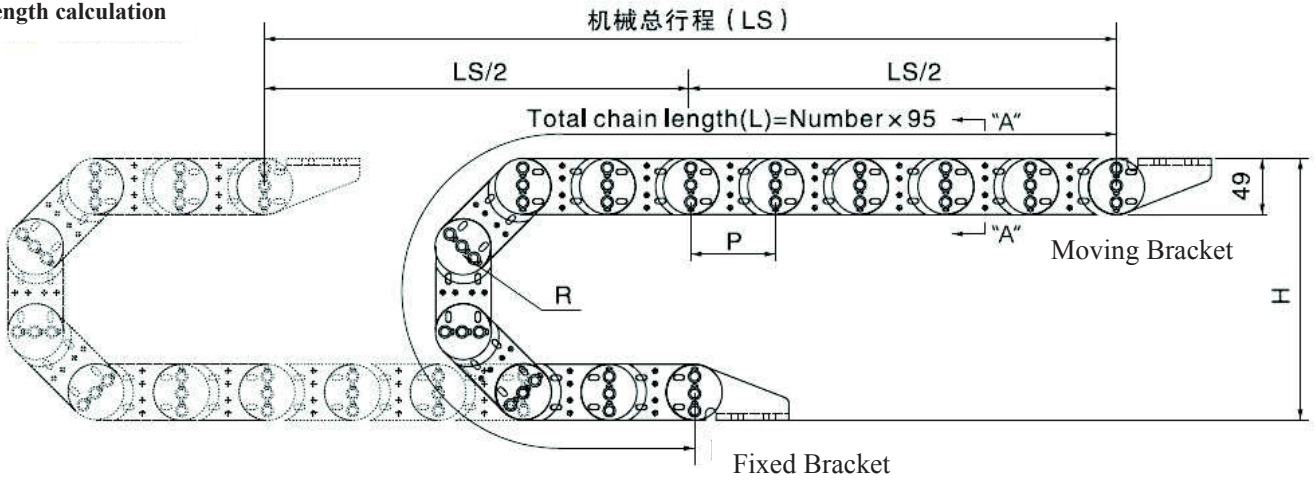


Moving bracket



TL065 Installation Dimensions & Tech Data

Length calculation

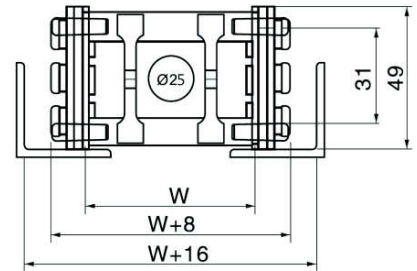


- Material : SPCC,S45C, SS400,SK5,Aluminum
- Operation speed:1M/S
- Temperature: -27~125°C

3.Ls=Mechanical stroke length

4.L=Length of cable chain

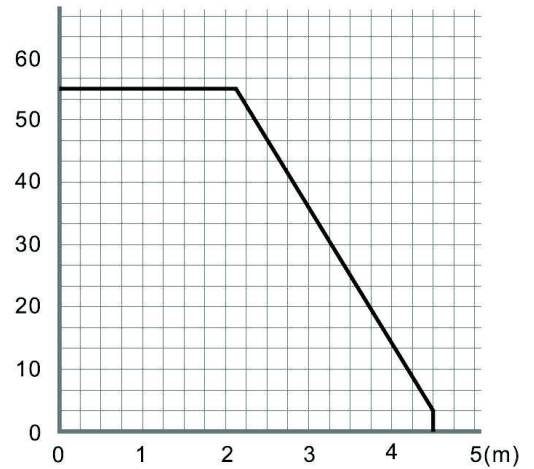
$L=Ls/2+Lc$ (Bending radius)



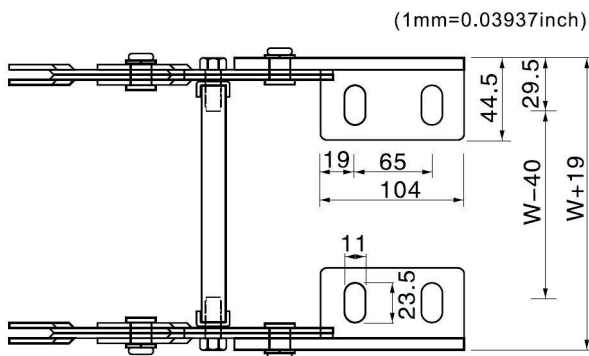
Type	Width (mm)	Radius (mm)	Pitch (mm)
SL-TL065	100	125	65
SL-TL065	(Diagram of curved cable chain)	150	65
SL-TL065		200	65
SL-TL065		250	65
SL-TL065		300	65
SL-TL065		350	65
SL-TL065	400	400	65

Weight (kg/m)

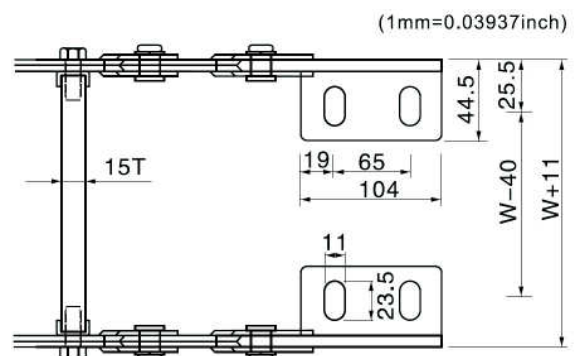
(1mm=0.03937inch)



Fixed bracket

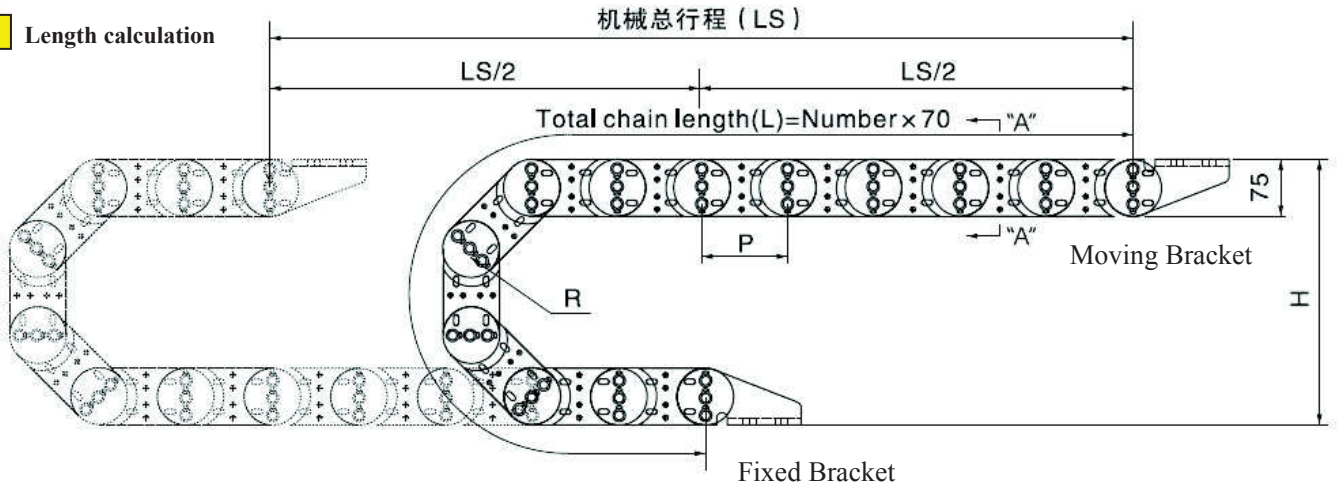


Moving bracket



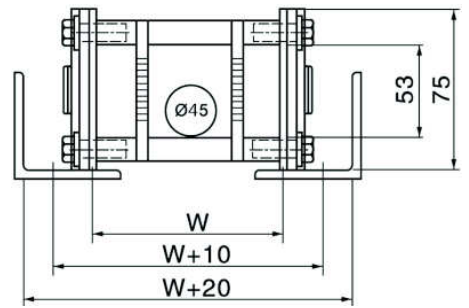
TL095 Installation Dimensions & Tech Data

Length calculation

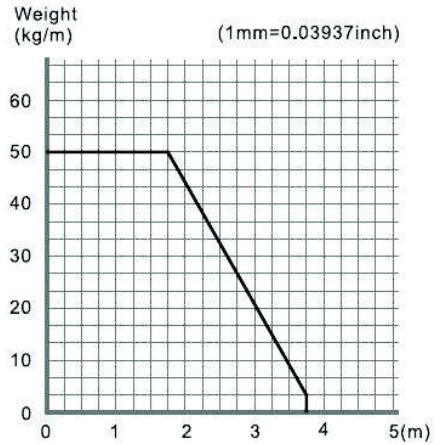


- Material : SPCC,S45C, SS400,SK5,Aluminum
- Operation speed:1M/S
- Temperature: -27~125℃

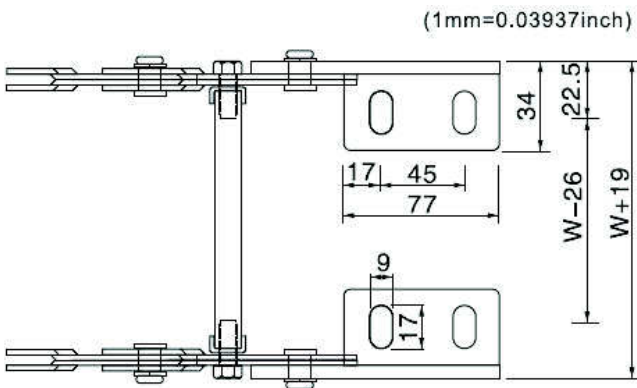
5.Ls=Mechanical stroke length
 6.L=Length of cable chain
 $L=Ls/2+Lc$ (Bending radius)



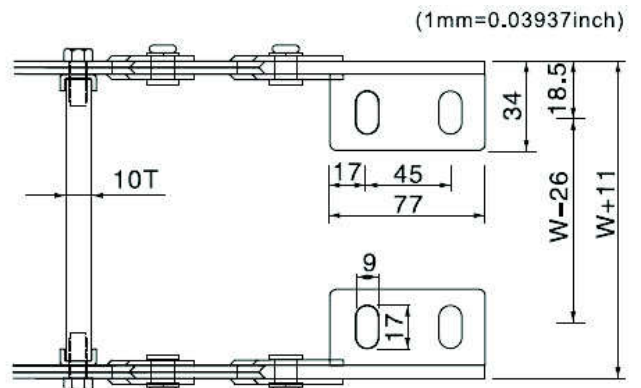
Type	Width (mm)	Radius (mm)	Pitch (mm)
SL-TL065	100	200	95
SL-TL065	}	250	95
SL-TL065		300	95
SL-TL065		350	95
SL-TL065	400	400	95



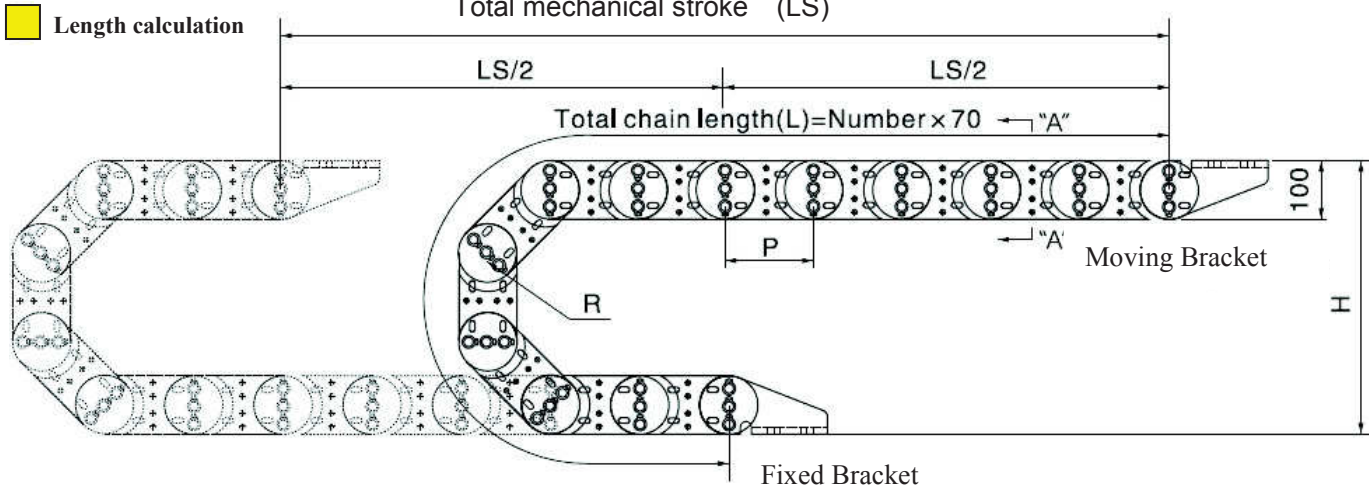
Fixed bracket



Moving bracket

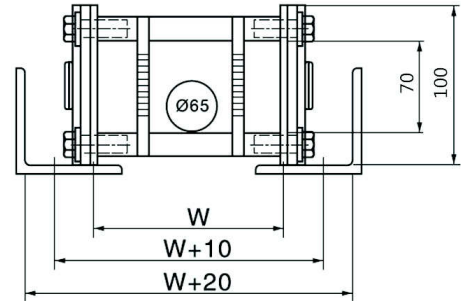


TL125 Installation Dimensions & Tech Data

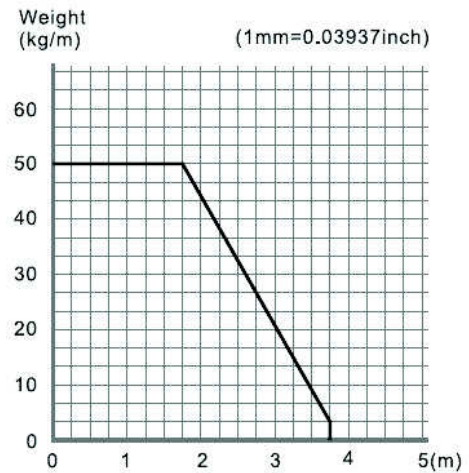


- Material : SPCC,S45C,
SS400,SK5,Aluminum
- Operation speed:1M/S
- Temperature: -27~125°C

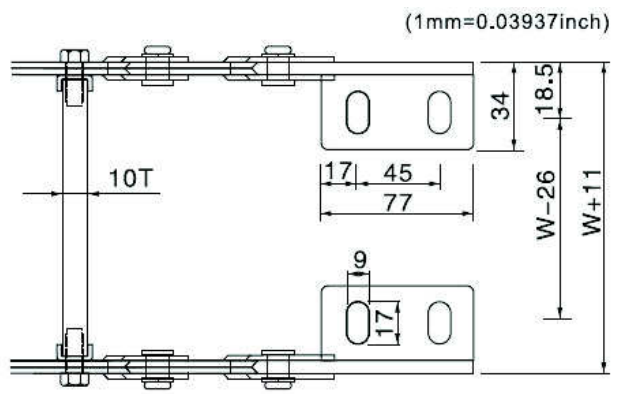
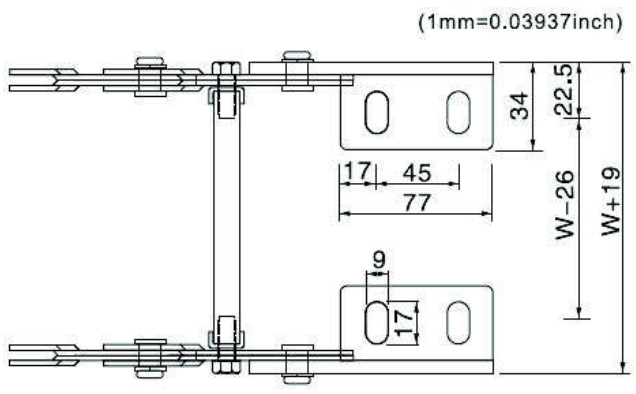
7.Ls=Mechanical stroke length
 8.L=Length of cable chain
 $L=LS/2+Lc$ (Bending radius)



Type	Width (mm)	Radius (mm)	Pitch (mm)
SL-TL125	100	200	125
SL-TL125		250	125
SL-TL125		300	125
SL-TL125		350	125
SL-TL125	400	400	125

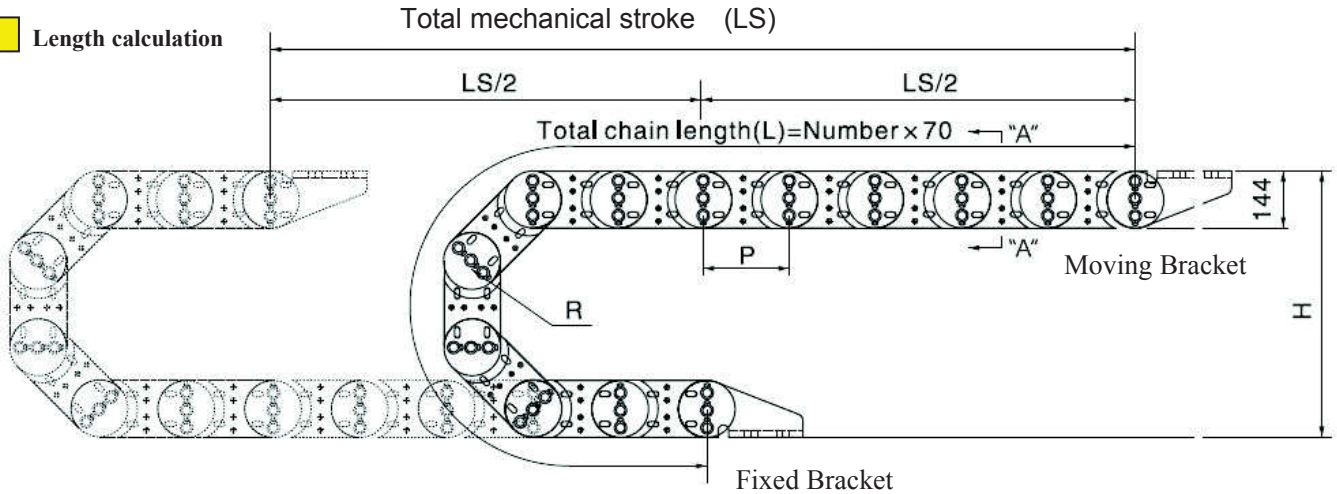


 Fixed bracket

 Moving bracket


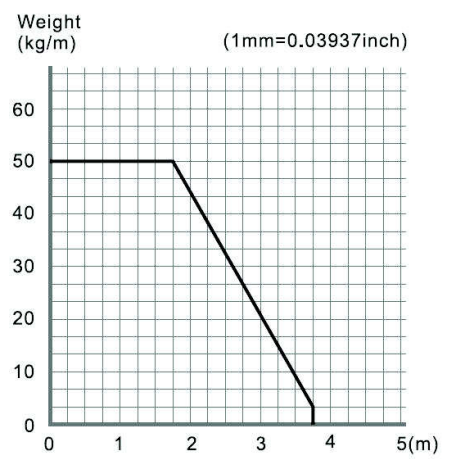
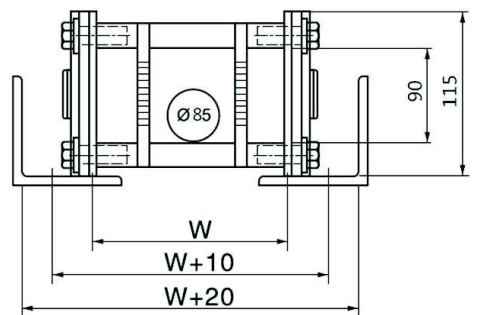
TL180 Installation Dimensions & Tech Data

Length calculation



- Material : SPCC,S45C,
SS400,SK5,Aluminum
- Operation speed:1M/S
- Temperature: -27~125°C

9.Ls=Mechanical stroke length
 10.L=Length of cable chain
 $L=LS/2+Lc$ (Bending radius)



Type	Width (mm)	Radius (mm)	Pitch (mm)
SL-TL180	100	200	125
SL-TL180	}	250	125
SL-TL180		300	125
SL-TL180		350	125
SL-TL180		400	125

Fixed bracket

Moving bracket

