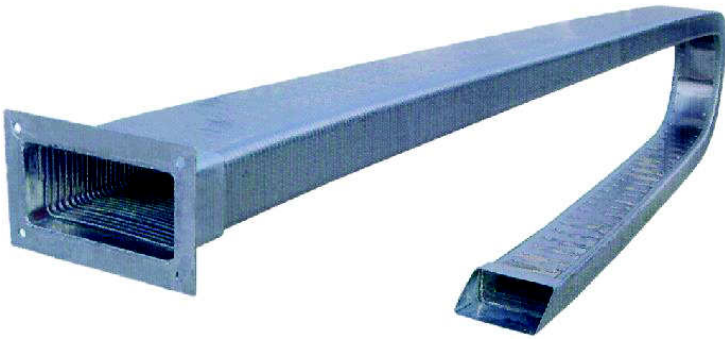


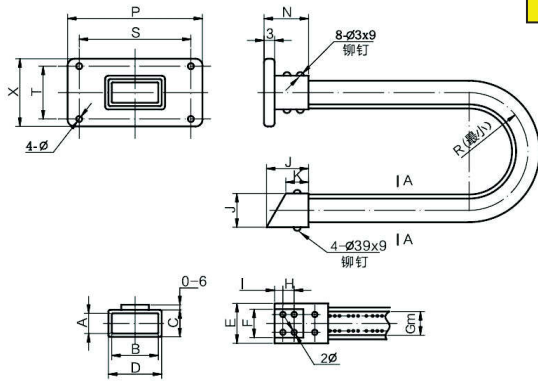
JR2 Type Rectangular metal hose

Structure and purposes

Rectangular metal hose made of metal material
The product complies with JB/GQ 058285 Enterprise standard , Adapt to all types of metal-cutting machine tools and cutting tools to prevent heat iron on your power supply, water, steam line damage, protection of labor safety.



Selection



Specifications and Model

A*B*L-Installation;

L-length of chain,including connector,please see :I~IX

Special connector a-c;

E.g.25*25*1200-1

25*50*1200-III

NOTE:

1.Provided a sufficient length tray when chain has installed

horizontally

2.We can provide the length over than sheet when horizontally installed.but we suggest you put a Scroll support points.

In case of bending.

Size of connector&Specifications

Inner A*B	Outer C*D	E	F	G	H	I	L	J	K	N	P	S	X	T	Φ	R	Axial tension	Weight (kg)
20×30	20×35	38	18	25	22	10	23	45	20	40	75	60	55	38	5.5	60	35	1.3
25×50	30×55	58	30	35	25	10	33	60	25	50	90	75	60	45	5.5	90	40	1.75
35×60	40×65	69	40	45	25	10	44	70	30	50	100	80	70	52	5.5	100	50	2.1
38×73	43×78	82	50	55	35	10	47	75	35	50	105	85	82	62	6.5	110	60	2.36
40×80	45×85	89	50	65	50	15	49	90	40	55	120	100	90	68	8.5	120	70	2.5
52×102	57×107	113	65	80	50	15	63	105	45	60	140	120	100	80	8.5	140	75	2.85
60×120	68×128	131	90	90	80	20	71	135	45	70	170	146	110	84	9	180	80	3.15
60×130	68×138	141	95	100	90	20	71	140	50	75	180	150	120	90	9	180	80	3.25
72×162	82×170	184	120	120	100	20	82	150	60	80	210	180	130	100	9	210	80	4.5
100×165	110×175	179	100	130	110	25	115	160	65	85	219	200	155	135	10	200	85	5.1