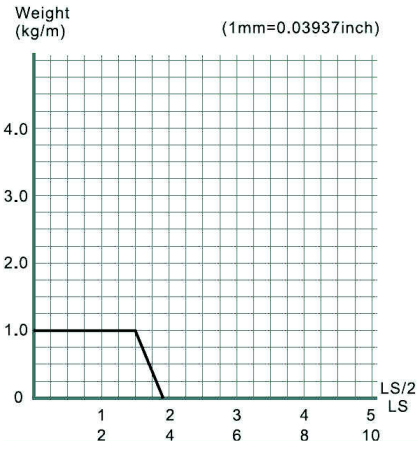
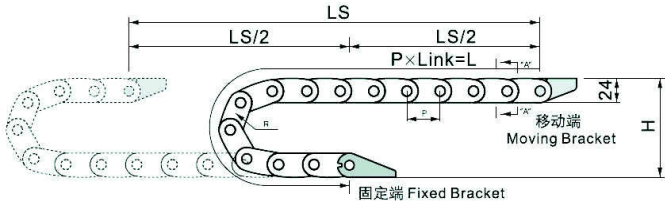


K1800 series Installation Dimensions & Tech Data

Length calculation

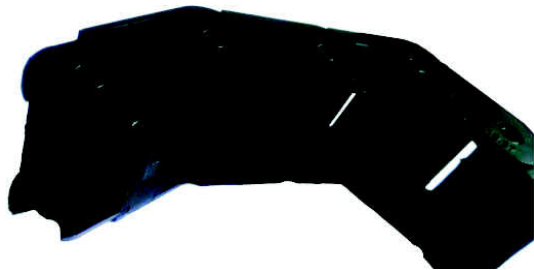
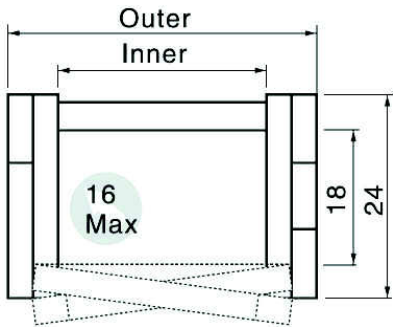


$$L = \frac{LS}{2} + \pi \times R + 132$$

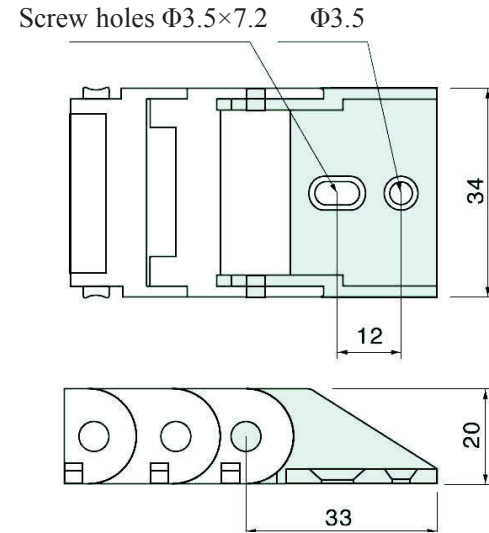
L: Length
 R: bending Radius
 H: Installation Height
 P: Pitch
 132: Safety Length

K18 series can be open by inner side

Type	Inner width (mm)	Outer width (mm)	Bending radius(mm)	Pitch (mm)
1800.018.□.0	18	29	38	33
1800.025.□.0	25	36	38	33
1800.037.□.0	37	49	38	33
1800.050.□.0	50	63	38	33



Fixed bracket



Moving bracket

